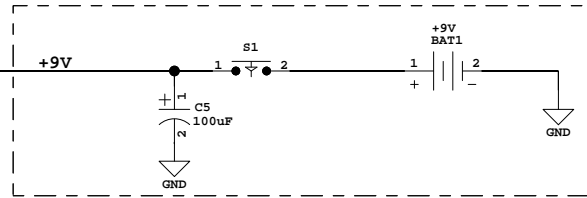
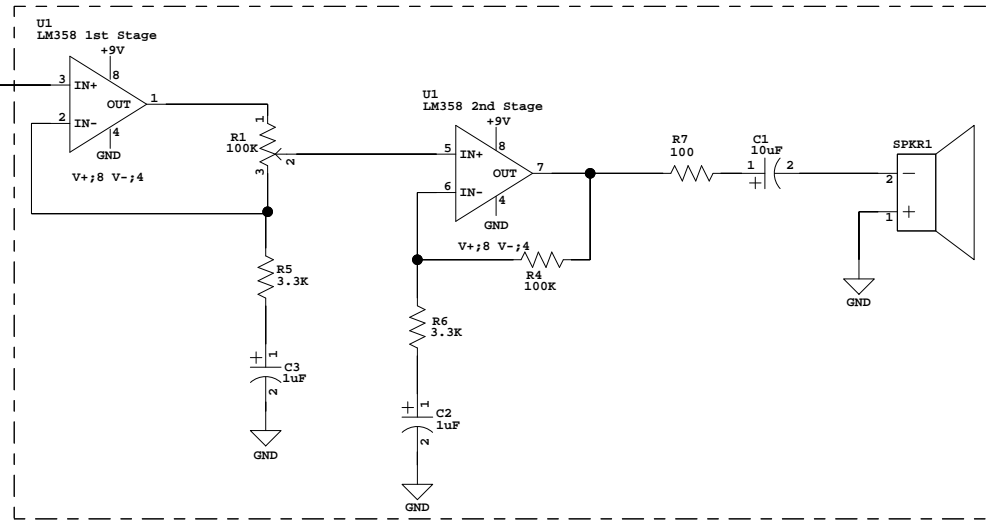
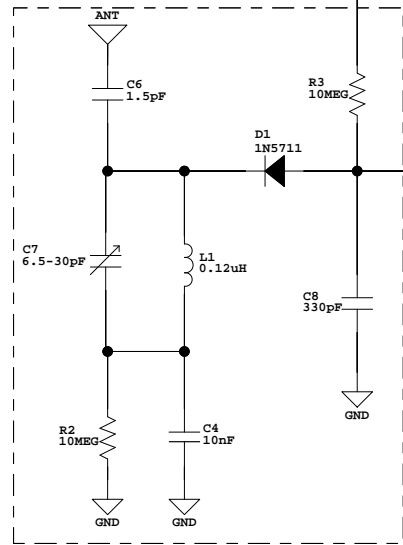


### Power

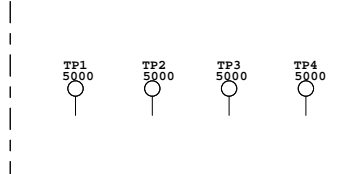


### Front End



### Baseband Audio

### PCB Drill Holes



# ARRL

## Crystal Radio Receiver

FILE	REV
A	1.3
DESIGN BY	DATE
LJZ	12/28/2021
QUANTITY	REV
1	1
Item No. 2528	